



# 995LD-DSS Duplex Stainless Steel Free Floating Guided Lever Drain Trap

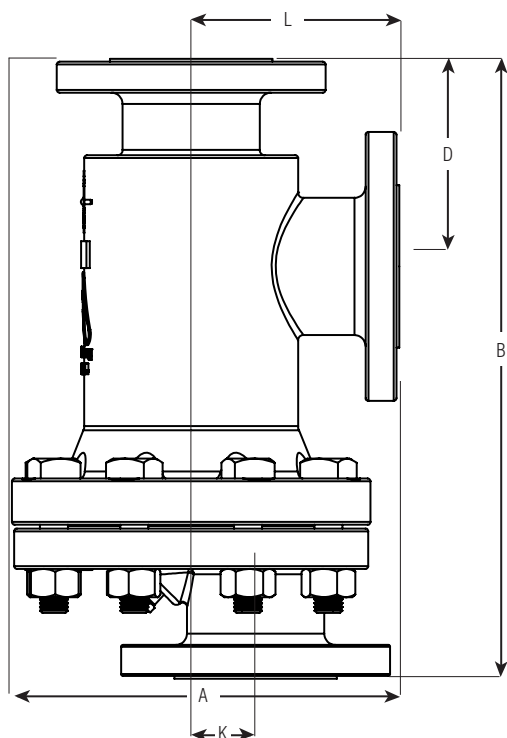
For Loads to 5 000 kg/h (11 000 lb/h)...Pressures to 20 bar (290 psi)

Armstrong's duplex stainless steel free-floating guided lever drain trap uses lever mechanisms, valves and seats of Armstrong inverted bucket steam traps that have been proven in years of service. Elliptical floats and high leverage make it possible to open large orifices to provide adequate capacity for drain trap size and weight.

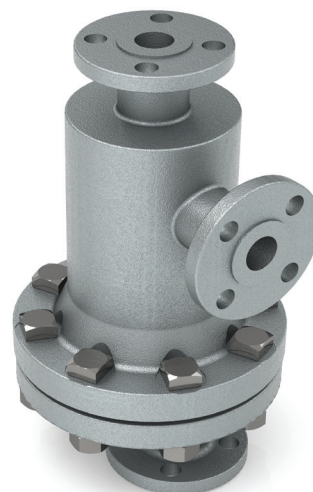
The hemispherical valve, seat and leverage of the 995LD-DSS duplex stainless steel trap are identical in design, materials and workmanship to those for saturated steam service up to 20 bar with the exception of the addition of a guidepost to assure a positive, leaktight valve closing under all conditions. With an exceptional corrosion resistance the 995LD-DSS is designed to suit offshore and NACE\* applications.

995LD-DSS List of Materials						
Model No.	Valve & Seat	Leverage System	Float	Bolts & Nuts	Body & Cap	Spiral Wound Gasket
9954LD-DSS 9956LD-DSS 9958LD-DSS	316 Stainless Steel NACE			DSS ASTM A453 Grade 660 class A	DSS ASTM A995 Grade 4A	UNS S 32205 / UNS S 31803

For information on special materials, consult the Armstrong Application Engineering Department.



9954LD-DSS duplex stainless steel guided lever drain trap class 150.



995LD-DSS Duplex Stainless Steel Free Floating Guided Lever Drain Series - Physical Data		
Model No.	995LD-DSS	
	mm	in
Pipe Connections	1" - 1 1/2" - 2"	
«A»	203	8
«B» (Flanged 150RF)	351	13-13/16
«D»	118	4-5/8
«L»	118	4-5/8
«K»	36,5	1-7/16
Weight, kg / lbs	22 - 24 - 26 / 48 - 53 - 57	
Maximum Allowable Pressure (Vessel Design)	20 bar (290 psi) @ 38 °C (100 °F) 17,9 bar (259 psi) @ 93 °C (199 °F)	

All models are CE marked according to the PED (97/23/EC).

## How to Order

Model	Connection Size
9954LD-DSS	4 = 1"
9956LD-DSS	6 = 1-1/2"
9958LD-DSS	8 = 2"

Maximum Operating Pressures for Handling Different Specific Gravity Liquids With Orifices Available in Guided Free Floating Lever Drain Traps.																								
Model No.	Sp. Grav Orifice	1,00		0,95		0,90		0,85		0,80		0,75		0,70		0,65		0,60		0,55		0,50		
		Maximum Operating Pressure psi / bar																						
		in	psi	bar	psi	bar	psi	bar	psi	bar	psi	bar	psi	bar	psi	bar	psi	bar	psi	bar	psi	bar	psi	bar
995LD-DSS to 20 bar (Duplex Stainless Steel)	1/2	16	1,1	14	1,0	13	0,9	12	0,8	10	0,7	9	0,6	7	0,5	6	0,4	5	0,3	3	0,2	2	0,1	
	3/8	33	2,3	31	2,1	28	1,9	25	1,7	22	1,5	19	1,3	16	1,1	13	0,9	10	0,7	7	0,5	4	0,3	
	5/16	54	3,7	49	3,4	44	3,0	39	2,7	35	2,4	30	2,1	25	1,7	20	1,4	16	1,1	11	0,8	6	0,4	
	9/32	71	4,9	65	4,5	59	4,0	52	3,6	46	3,2	40	2,7	34	2,3	27	1,9	21	1,4	15	1,0	8	0,6	
	1/4	107	7,4	97	6,7	88	6,1	79	5,4	69	4,8	60	4,1	50	3,5	41	2,8	32	2,2	22	1,5	13	0,9	
	7/32	153	10,5	139	9,6	126	8,7	112	7,7	99	6,8	85	5,9	72	5,0	59	4,0	45	3,1	32	2,2	18	1,2	
	3/16	230	16	209	14	189	13	169	12	149	10,3	129	8,9	108	7,5	88	6,1	68	4,7	48	3,3	27	1,9	
	5/32	-	-	-	-	-	-	-	-	-	233	16	201	14	169	12	138	9,5	106	7,3	74	5,1	43	2,9
	1/8	-	-	-	-	-	-	-	-	-	290	20	290	20	290	20	278	19	214	15	150	10,3	86	5,9
	7/64	-	-	-	-	-	-	-	-	-	290	20	290	20	290	20	290	20	274	19	192	13	110	7,6

NOTE: If specific gravity falls between those shown in the chart, use the next lower gravity. For example, if specific gravity is 0,73, use 0,70 gravity data.

\* According to MR0175/ISO015153-1/2/3

**All dimensions and weights are approximate. Use certified print for exact dimensions. Design and materials are subject to change without notice.**